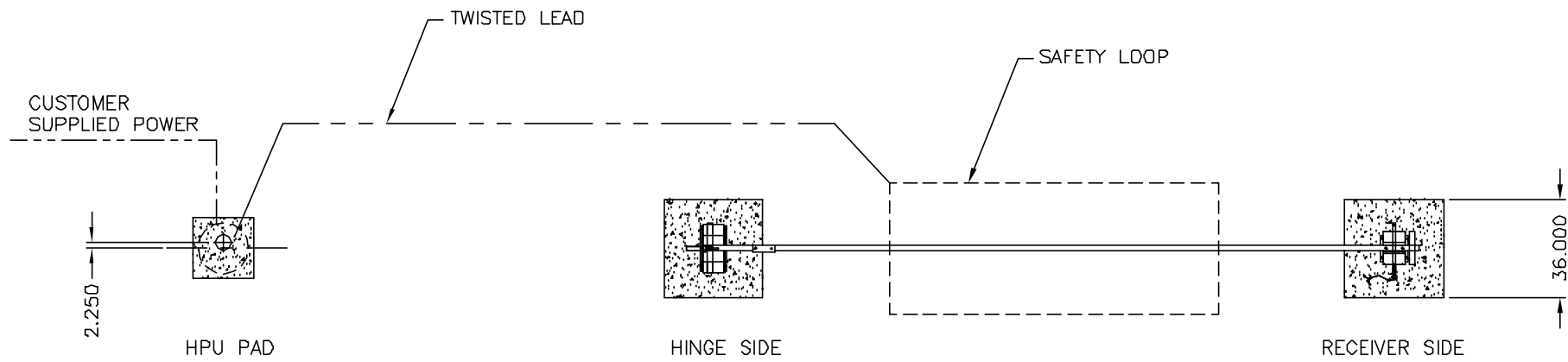


REFERENCE DESIGNATOR	DEVICE	NUMBER OF WIRES	WIRE GAGE	POWER VOLTAGE
A	2" HYDRAULIC CONDUIT	-	-	-
B	LIMIT SWITCH	2	12	24VDC



NOTES:

1. 712 HINGE & RECEIVER POST FOUNDATION: 36" SQUARE. 4000 PSI, #6 SCREEN, 4 SIDES.

2. PLACE PUMP TO ACCOMMODATE 2" CONDUIT SWEEP MINIMUM RECOMMENDED DISTANCE GREATER THAN 4' LESS THAN 50'.

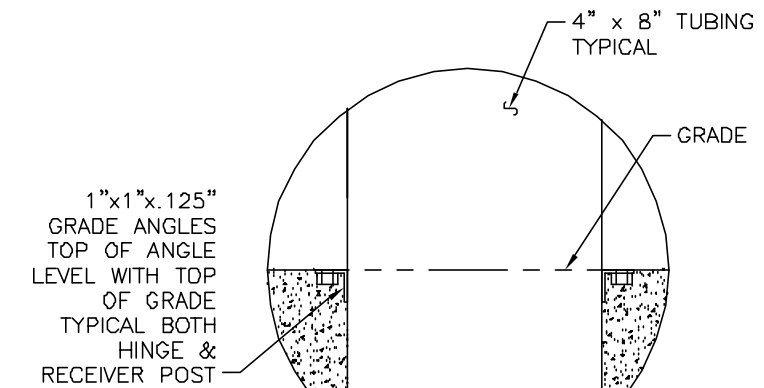
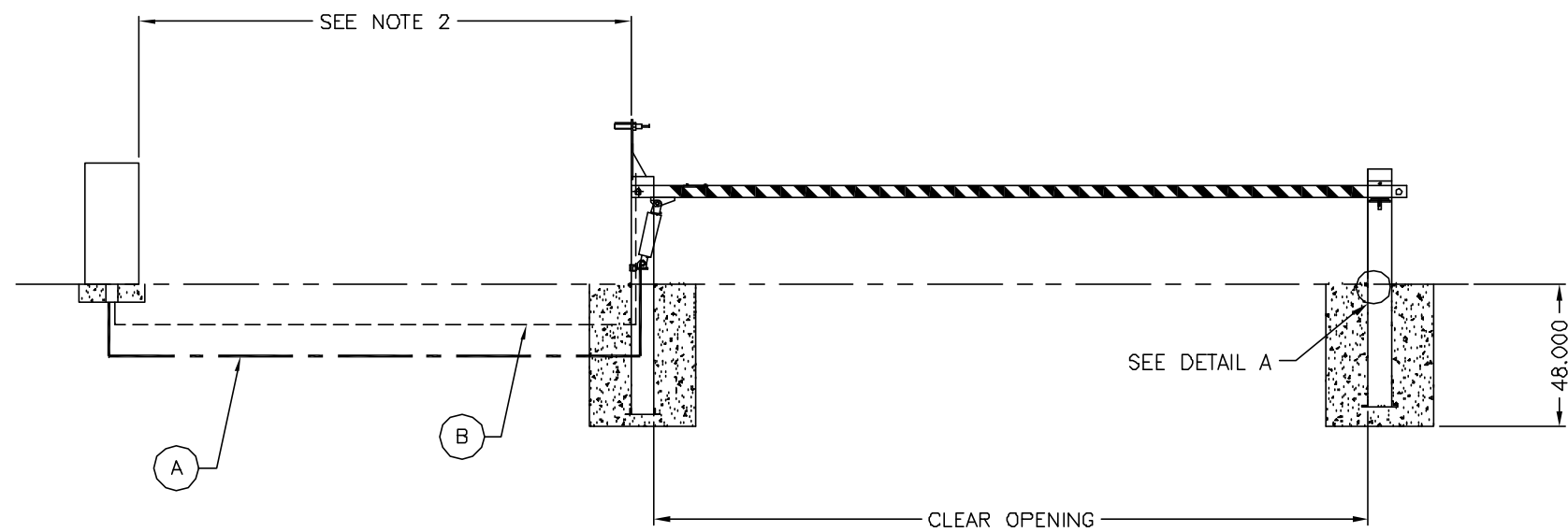
3. 6120 HPU FOUNDATION: 22" SQUARE MIN. x 6" DEEP. 6" SLEEVE FOR CONDUITS.

4. THE CONCRETE SHALL DEVELOP A MINIMUM COMPRESSIVE STRENGTH OF 4000 PSI IN 28 DAYS. THE CEMENT SHALL BE AS PER ASTM C150. THE MAXIMUM AGGREGATE SIZE SHALL BE 1 INCH.

5. THE FOUNDATION SHALL BE POURED ON UNDISTURBED SOIL UTILIZING THE EARTH AS THE FORM FOR THE BOTTOM AND SIDES. STANDING WATER IN THE EXCAVATION SHALL BE REMOVED PRIOR TO POURING THE FOUNDATION.

6. THE FOUNDATION DIMENSIONS SHOWN (36" x 36" X 48" DEEP) ARE CONSIDERED MINIMUM. IT IS ANTICIPATED THAT THE FOUNDATIONS WILL ROTATE AND BE DISPLACED LATERALLY UPON IMPACT OF THE VEHICLE. THE MAGNITUDE OF THE FOUNDATION DISPLACEMENT WILL VARY DEPENDING ON THE MASS AND VELOCITY OF THE VEHICLE AND THE LOCAL SOIL CONDITIONS.

5. FOUNDATION SIZE IS BASED ON MINIMUM ALLOWABLE SOIL BEARING CAPACITY OF 1600 PSI.



DETAIL A

712 CABLE CRASH BEAM
SUGGESTED CONDUIT LAYOUT

B&B ARMOR
2009 Chenault Dr. #114
Carrollton, Tx 75006
800-367-0387
bb-armr.com